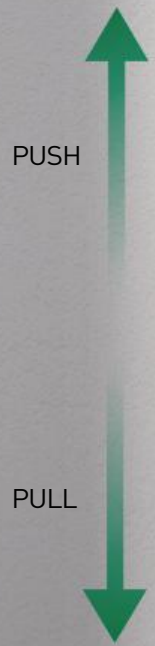


DXH-02 Astro

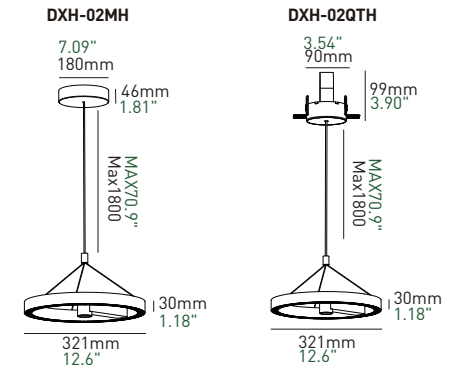




Freely hover at a desired height



DXH-02 Astro



(Hover Freely)

(Embedded Hover Freely)

Basic Information

Model	DXH-02
Mounting	Surface mounted
Color	Black
Material	Aluminum
IP Rating	IP20
Power	Max. 30W
Led Voltage	DC36V
Input Current	Max. 800mA

Optical Parameters

Light Source	LED COB
Lumens	52lm/W
CRI	97Ra
CCT	3000K ● 3500K ● 4000K ○
CCT Changeable	2700K 6000K
Beam Angle	60° + 120°
LED Lifespan	50000hrs

Driver Voltage	AC100-120V AC220-240V
Driver Options	ON/OFF DIM TRIAC/ PHASE-CUT DIM 0/1-10V DIM DALI