

NIMO Series



DYY-01M



**DYY-01M**



Decor Lights

**Basic Information**

Model	DYY-01M
Mounting	Surface mounted
Color	Black
Material	Aluminum
IP Rating	IP20
Power	Max. 8W
Led Voltage	DC36V
Input Current	Max. 200mA

**Optical Parameters**

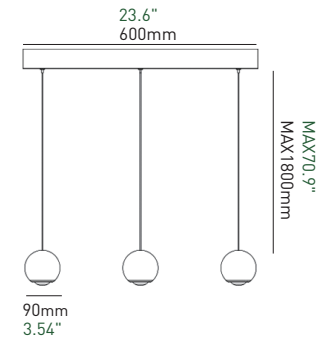
Light Source	LED COB
Lumens	68lm/W
CRI	98Ra
CCT	3000K ● 3500K ● 4000K ○
CCT Changeable	2700K  6000K 1800K  3000K
Beam Angle	50°
LED Lifespan	50000hrs

Driver Voltage	AC100-120V AC220-240V
Driver Options	ON/OFF DIM TRIAC/ PHASE-CUT DIM 0/1-10V DIM DALI

DYY-03M



DYY-03M



### Basic Information

Model	DYY-03M
Mounting	Surface mounted
Color	Black
Material	Aluminum
IP Rating	IP20
Power	Max.8W*3
Led Voltage	DC36V
Input Current	Max. 200mA*3

### Optical Parameters

Light Source	LED COB
Lumens	68lm/W
CRI	98Ra
CCT	3000K ● 3500K ● 4000K ○
CCT Changeable	2700K  6000K 1800K  3000K
Beam Angle	50°
UGR	< 13
LED Lifespan	50000hrs

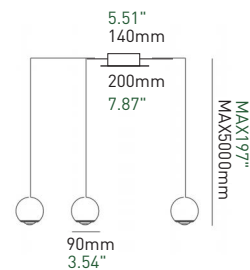
Driver Voltage AC100-120V AC220-240V

Driver Options ON/OFF DIM TRIAC/ PHASE-CUT DIM 0/1-10V DIM DALI

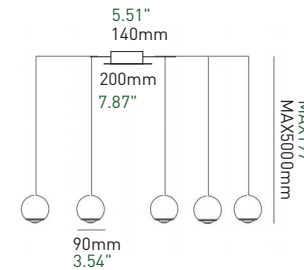
DYY-03MS/05MS



DYY-03MS



DYY-05MS



### Basic Information

Model	DYY-03MS/DYY-05MS
Mounting	Surface mounted
Color	Black
Material	Aluminum
IP Rating	IP20
Power	Max. 3*8W / Max. 5*8W
Led Voltage	DC36V
Input Current	Max. 200mA*3 / Max. 200mA*5

### Optical Parameters

Light Source	LED COB
Lumens	68lm/W
CRI	98Ra
CCT	3000K ● 3500K ● 4000K ○
CCT Changeable	2700K  6000K 1800K  3000K
Beam Angle	50°
LED Lifespan	50000hrs

Driver Voltage	AC100-120V AC220-240V
Driver Options	ON/OFF DIM TRIAC/ PHASE-CUT DIM 0/1-10V DIM DALI